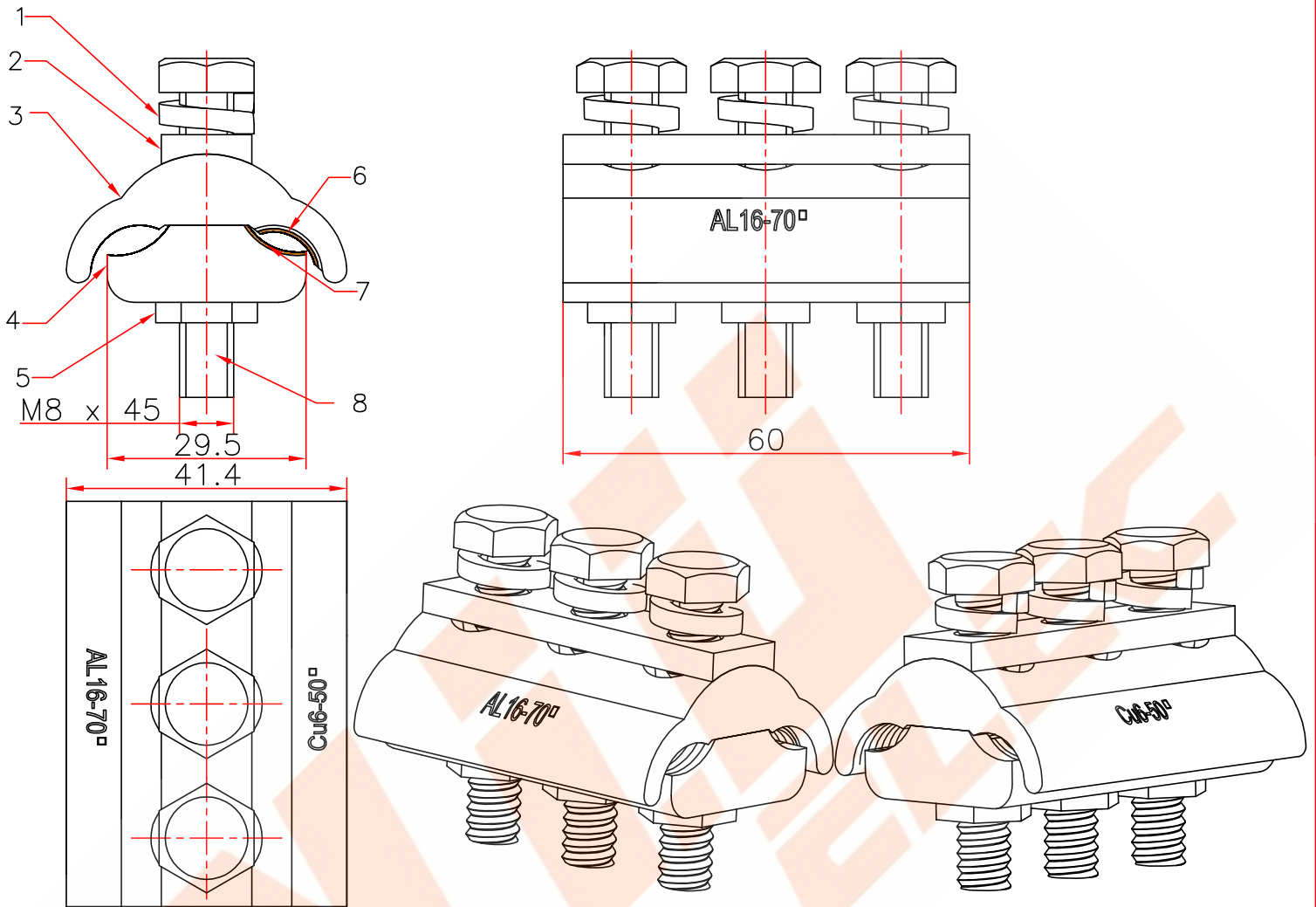


REVISIONS

REV#	DESCRIPTION	APPV.	REV DATE



CU wire cross section :6-50 mm² AL wire cross section :16-70 mm²

8	BOLT	MILD STEEL		3
7	STRIP FOR BOTTOM CLAMP	COPPER	NATURAL & BRIGHT	1
6	STRIP FOR TOP CLAMP	COPPER	NATURAL & BRIGHT	1
5	NUT	MILD STEEL		3
4	BOTTOM BODY	ALUMINIUM ALLOY	NATURAL & BRIGHT	1
3	TOP BODY	ALUMINIUM ALLOY	NATURAL & BRIGHT	1
2	WASHER	ALUMINIUM ALLOY	NATURAL & BRIGHT	1
1	ROUDE SPRING WASHER	MILD STEEL		3
SR. NO	ITEM DESCRIPTION	MATERIAL	FINISH	QTY



N.I.U ELECTRIC GROUP CO.,LTD
 Beibaixiang Zone, Yueqing City,
 Zhejiang Province, China-325604
 Tel:+86-577-62622652
 E-mail:sales@niuelec.com

DRAWN:David

CHECKED:

DRG No:NIU#APG-C
 CU6-50/AL16-70