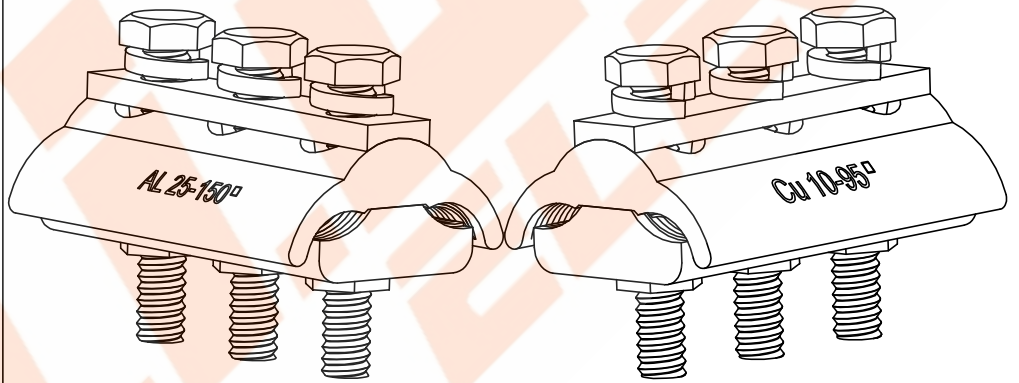
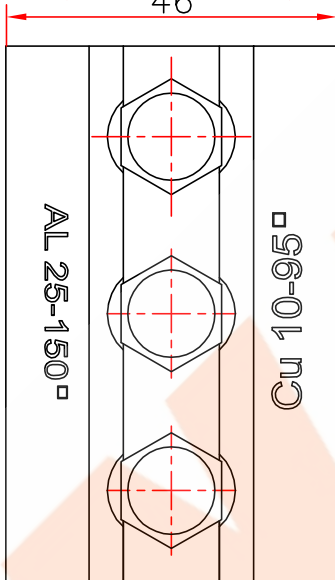
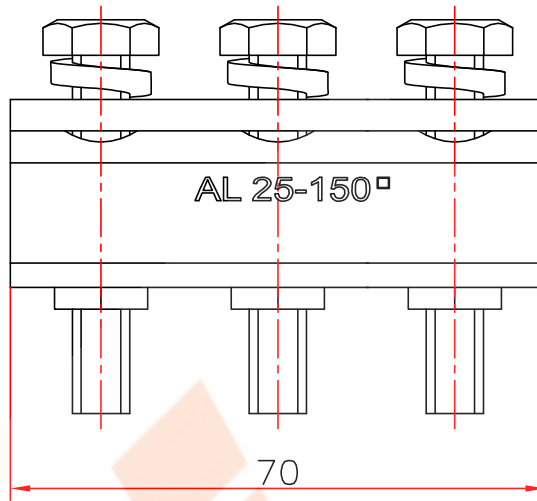
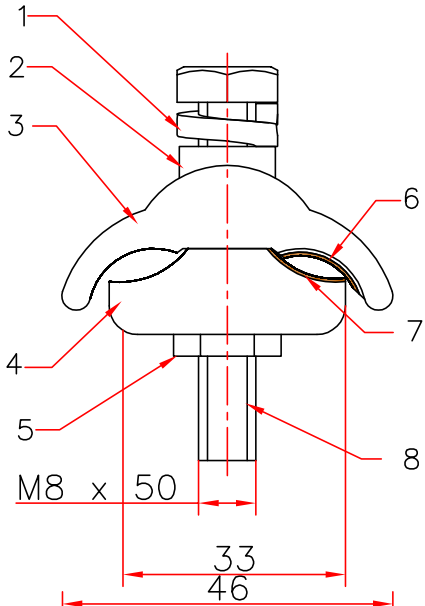


REVISIONS

| REV# | DESCRIPTION | APPV. | REV DATE |
|------|-------------|-------|----------|
| | | | |



CU wire cross section :10-95 mm² AL wire cross section :25-150 mm²

| 8 | BOLT | MILD STEEL | | 3 |
|--------|------------------------|-----------------|------------------|-----|
| 7 | STRIP FOR BOTTOM CLAMP | COPPER | NATURAL & BRIGHT | 1 |
| 6 | STRIP FOR TOP CLAMP | COPPER | NATURAL & BRIGHT | 1 |
| 5 | NUT | MILD STEEL | | 3 |
| 4 | BOTTOM BODY | ALUMINIUM ALLOY | NATURAL & BRIGHT | 1 |
| 3 | TOP BODY | ALUMINIUM ALLOY | NATURAL & BRIGHT | 1 |
| 2 | WASHER | ALUMINIUM ALLOY | NATURAL & BRIGHT | 1 |
| 1 | ROUDE SPRING WASHER | MILD STEEL | | 3 |
| SR. NO | ITEM DESCRIPTION | MATERIAL | FINISH | QTY |



N.I.U ELECTRIC GROUP CO.,LTD
 Beibaixiang Zone, Yueqing City,
 Zhejiang Province, China-325604
 Tel: +86-577-62622652
 E-mail: sales@niuelec.com

DRAWN: David

CHECKED:

DRG No: NIU#APG-C
 CU10-95/AL25-150