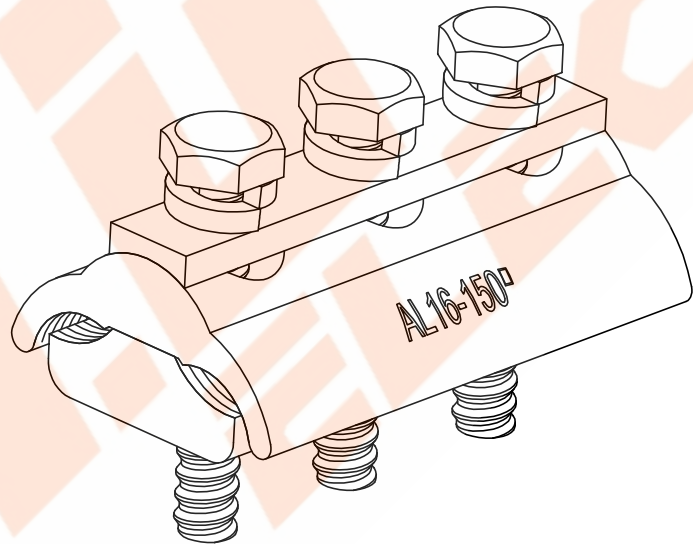
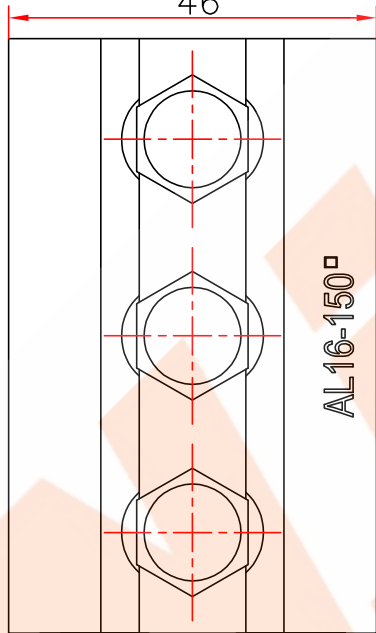
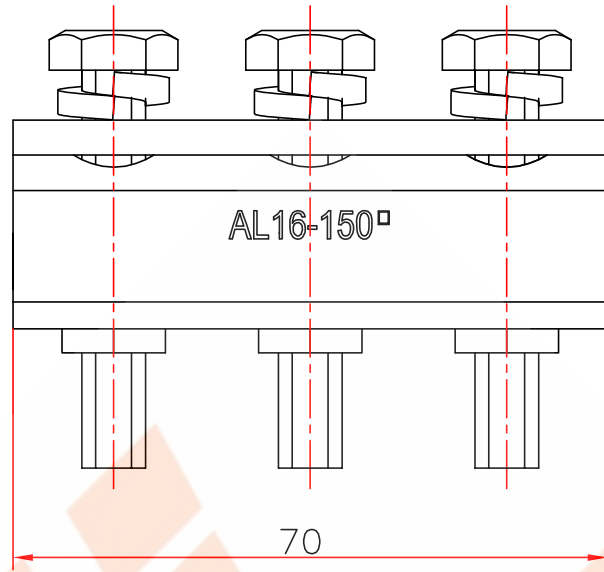
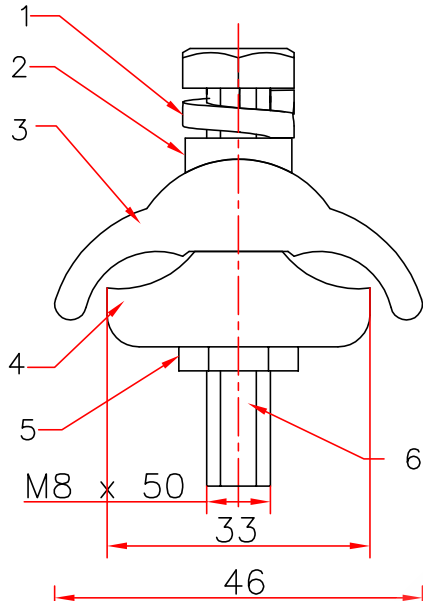


| REVISIONS | | | |
|-----------|-------------|-------|----------|
| REV# | DESCRIPTION | APPV. | REV DATE |
| | | | |



AL wire cross section : 16–150 mm²

| | | | | |
|--------|---------------------|-----------------|------------------|-----|
| 6 | BOLT | MILD STEEL | | 3 |
| 5 | NUT | MILD STEEL | | 3 |
| 4 | BOTTOM BODY | ALUMINIUM ALLOY | NATURAL & BRIGHT | 1 |
| 3 | TOP BODY | ALUMINIUM ALLOY | NATURAL & BRIGHT | 1 |
| 2 | WASHER | ALUMINIUM ALLOY | NATURAL & BRIGHT | 1 |
| 1 | ROUDE SPRING WASHER | MILD STEEL | | 3 |
| SR. NO | ITEM DESCRIPTION | MATERIAL | FINISH | QTY |



N.I.U ELECTRIC GROUP CO.,LTD
 Beibaixiang Zone, Yueqing City,
 Zhejiang Province, China-325604
 Tel: +86-577-62622652
 E-mail: sales@niuelec.com

DRAWN: David

DRG No: NIU#
 APG-C AL16-150

CHECKED: